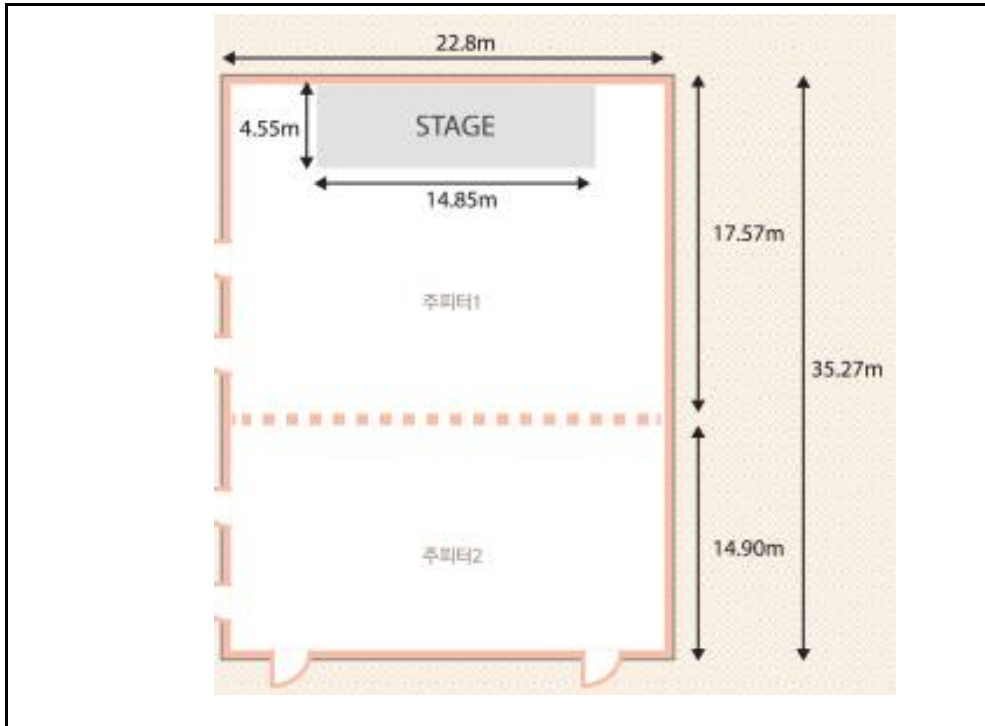


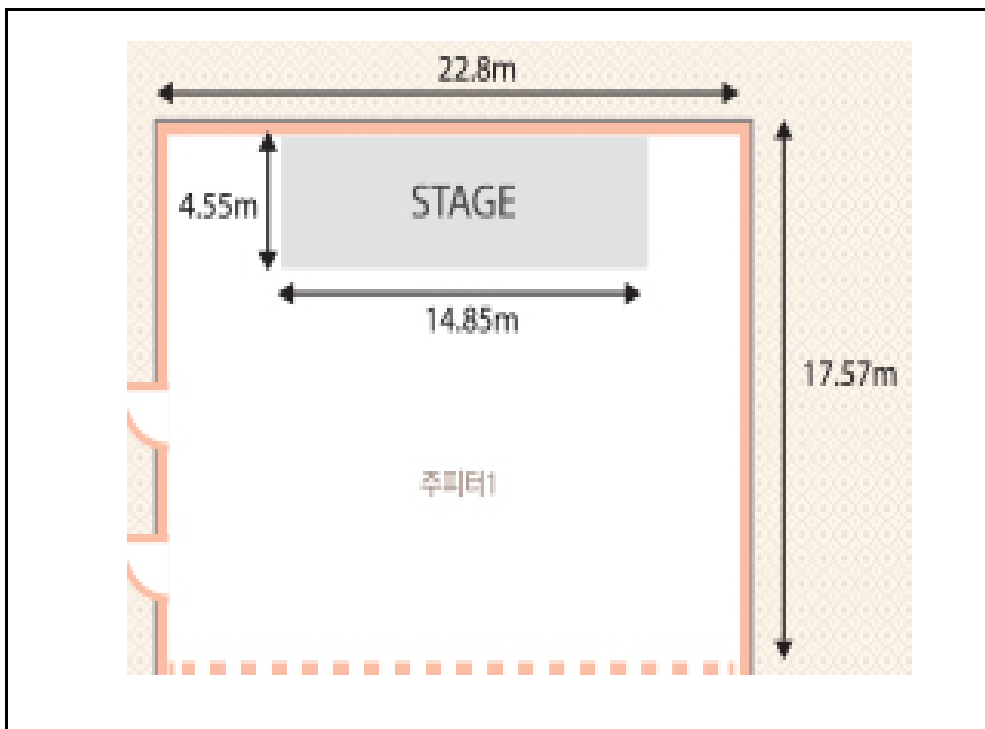
# Daemyung Resort Gyeongju

Room Name: *Grand Ballroom*



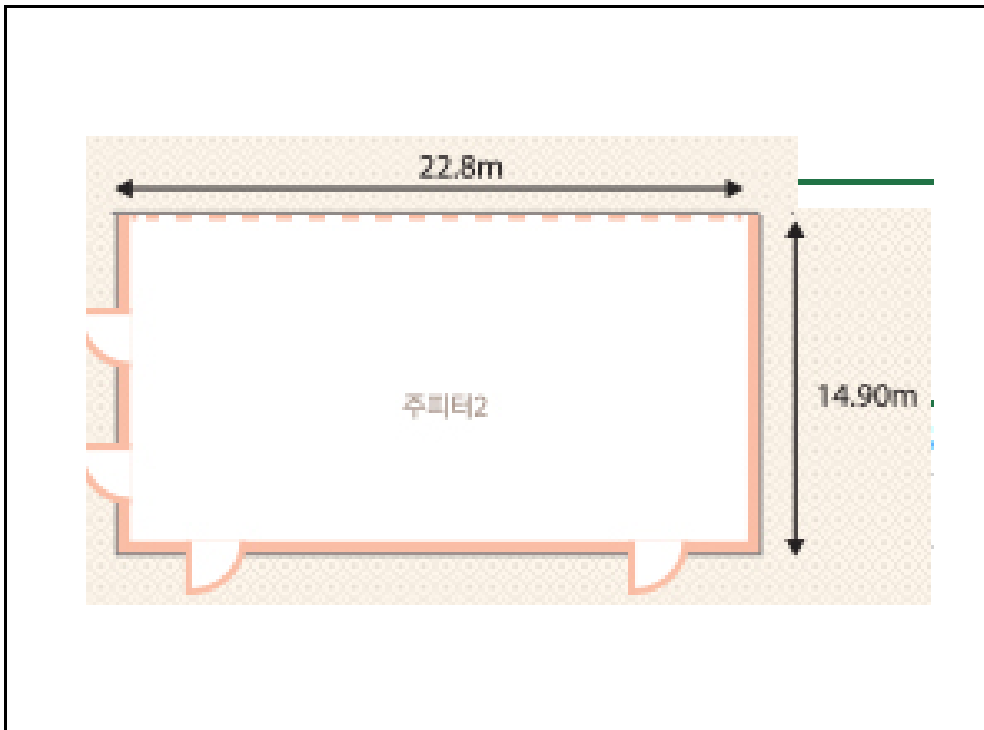
Dimension (L x W)	Area (m2)	Height (m)
22.8 X 35.27	804.156	
<b>Banquet</b>	<b>Classroom</b>	<b>Theatre</b>
460	600	1000

Room Name: *Jupiter I Hall*



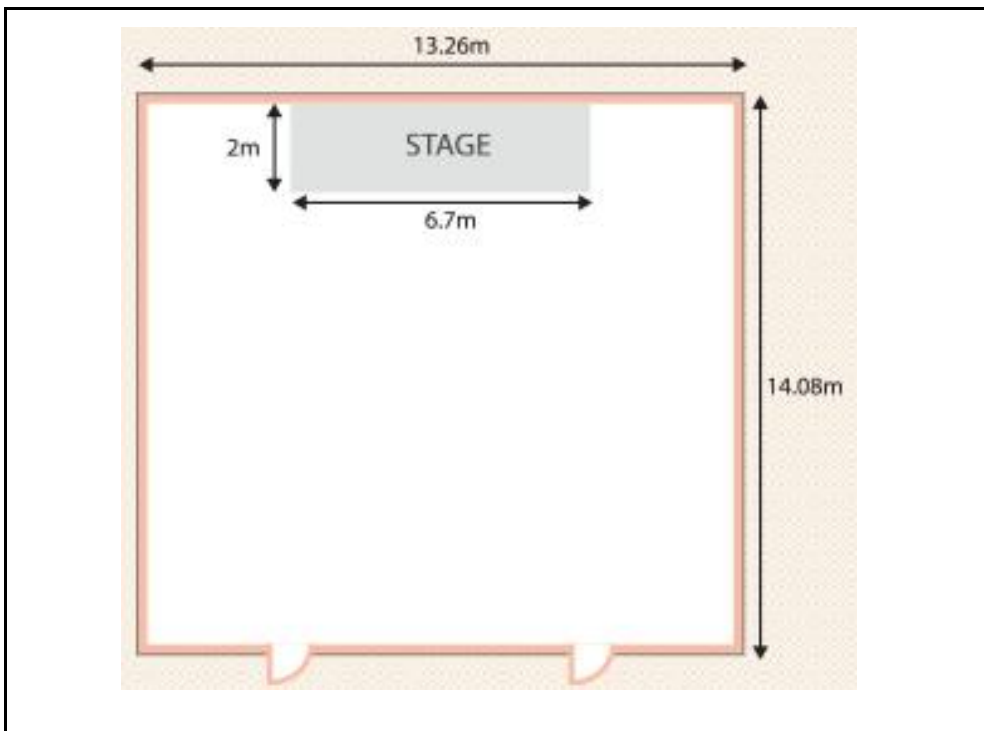
Dimension (L x W)	Area (m2)	Height (m)
22.8 X 17.57	400.596	
<b>Banquet</b>	<b>Classroom</b>	<b>Theatre</b>
150	193	400

Room Name: *Jupiter II HALL*



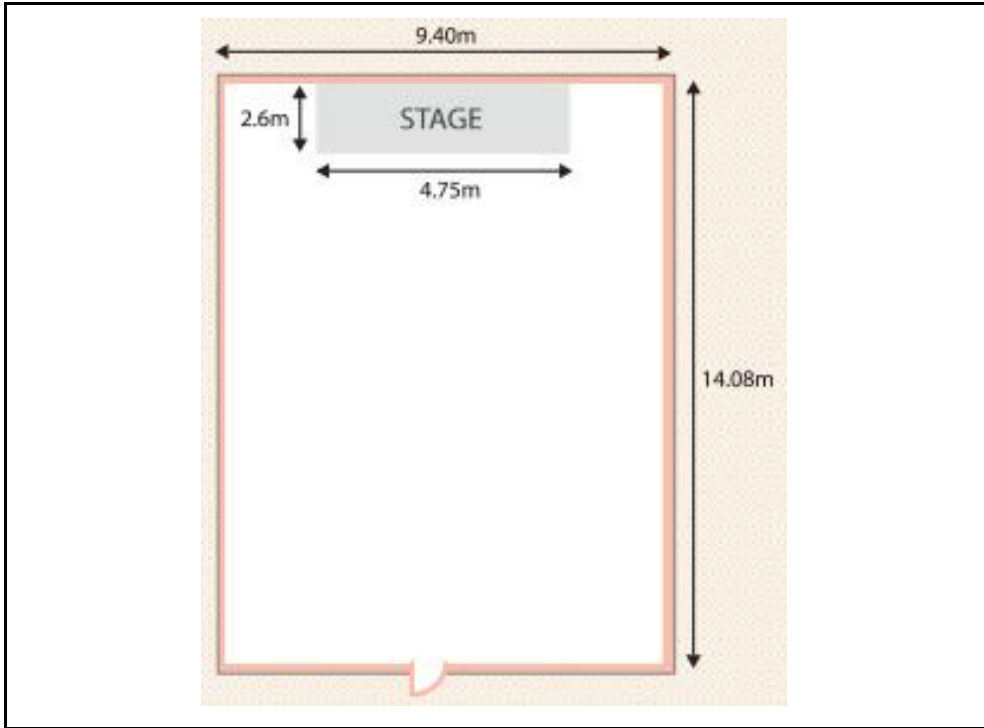
Dimension (L x W)	Area (m2)	Height (m)
22.8 X 14.9	339.72	
<b>Banquet</b>	<b>Classroom</b>	<b>Theatre</b>
120	150	350

Room Name: *Saturn Hall*



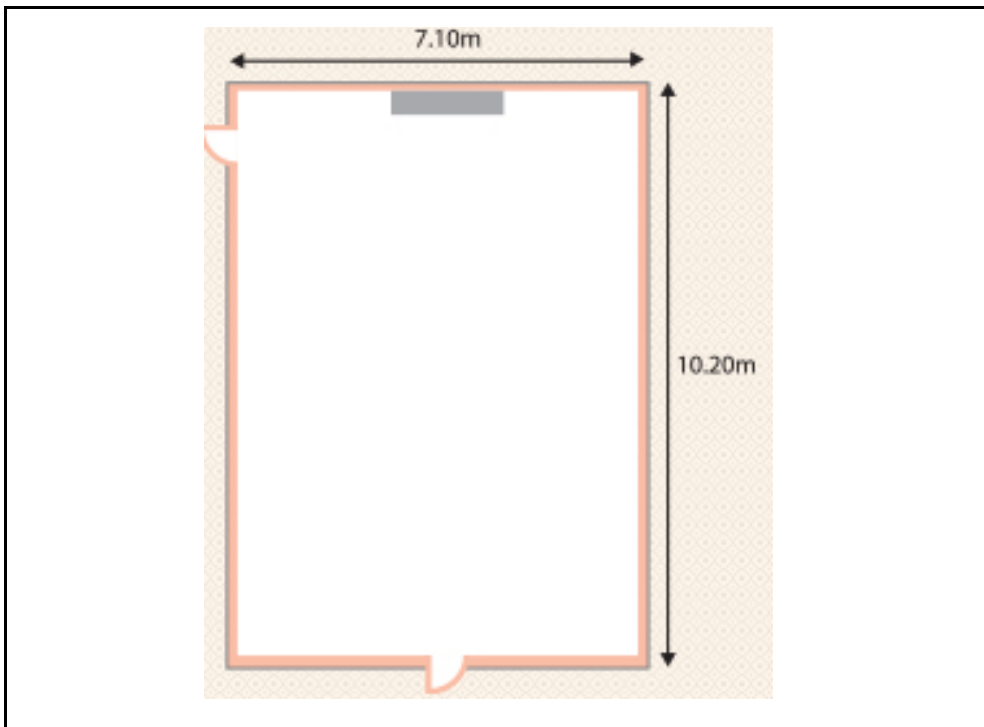
Dimension (L x W)	Area (m2)	Height (m)
13.26 X 14.08	186.7008	
<b>Banquet</b>	<b>Classroom</b>	<b>Theatre</b>
90	105	200

**Room Name: Venus Hall**



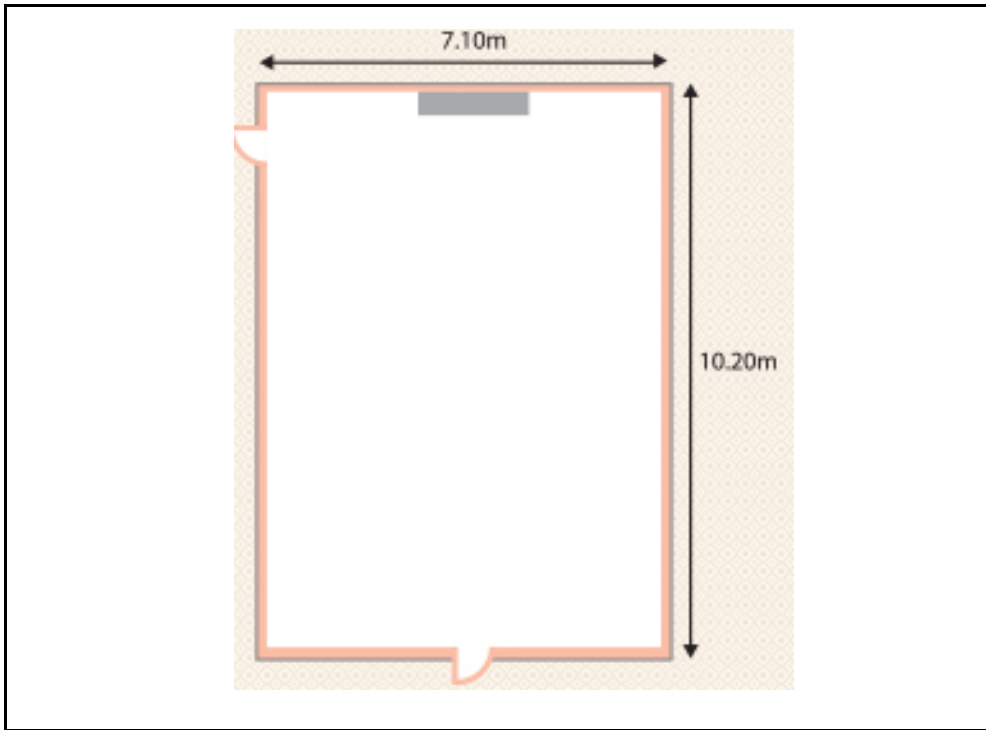
Dimension (L x W)	Area (m2)	Height (m)
9.4 X 14.08	132.352	
Banquet	Classroom	Theatre
60	84	120

**Room Name: Mars Hall**



Dimension (L x W)	Area (m2)	Height (m)
7.1 X 10.2	72.42	
Banquet	Classroom	Theatre
30	45	60

Room Name: Mercury Hall



Dimension (L x W)	Area (m2)	Height (m)
7.1 X 10.2	72.42	
Banquet	Classroom	Theatre
30	45	60